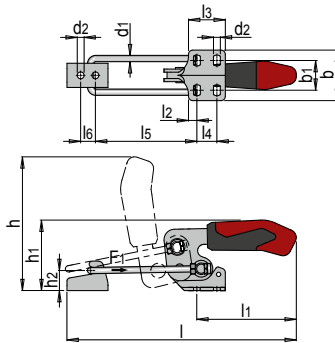


PRODUCT DESCRIPTION

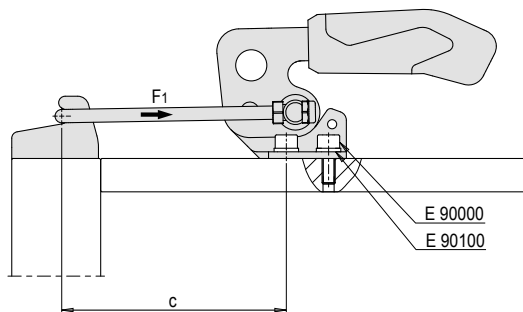
- » Ergonomic handle made of two components
- » With hardened bushings
- » Tempered hook

MATERIAL

- » Steel, galvanised and passivated



b	h	l max.	b1	d1	h1	l1	d2	h2	l2	l3	l4	l5 min.	l5 max.	l6	Type	No.	EUR
38	99	159	19,5 - 23,5	4	47	69	5.2	12	6.4	26	13	38	72	11	2	HWS 250/ 2	< >
48	136	216	24,5 - 32	6	70	93	6.5	19	8	35	19	48.5	96	14	3	HWS 250/ 3	< >



Type	F1	c min.	c max.
2	1.6 kN	42	76
3	3.2 kN	53,5	101