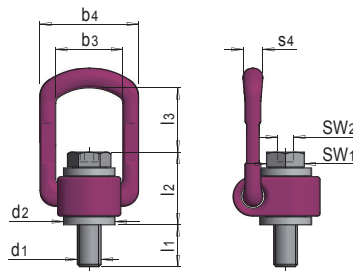






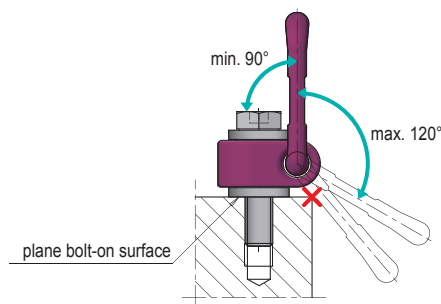


PRODUCT DESCRIPTION

- » Loadable in any direction
- » Safety factor 4:1
- » Bolt is captive in the body
- » All load-bearing parts are 100% crack tested and proof load tested according to EN 1677



SW1	SW2	b3	b4	d2	l1	l2	l3	s4	d1	 max. kg	 max. kg	 max. kg	 max. kg	No.	EUR
13	5	34	54	24	11	35	40	12	M 8	630	630	1,260	880	E 1275/ 8	<>
17	6	34	54	24	15	36	39	12	M10	900	900	1,800	1,260	E 1275/10	<>
19	8	34	54	26	18	37	38	12	M12	1,350	1,350	2,700	1,900	E 1275/12	<>
24	10	36	56	30	22	46	39	13.5	M16	2,000	2,000	4,000	2,800	E 1275/16	<>
30	12	54	82	45	32	55	55	16.5	M20	3,500	3,500	7,000	4,900	E 1275/20	<>
36	14	54	82	45	37	58	67	18	M24	4,500	4,500	9,000	6,300	E 1275/24	<>
46	17	65	103	60	49	80	67	22.5	M30	6,700	6,700	13,400	9,400	E 1275/30	<>
55	22	82	122	70	63	99	97	26.5	M36	8,000	8,000	16,000	11,200	E 1275/36	<>
65	24	100	156	85	63	113	109	36	M42	15,000	15,000	30,000	21,200	E 1275/42	<>
75	27	100	156	95	73	117	105	36	M48	20,000	20,000	40,000	28,000	E 1275/48	<>



Do not rotate under load!
 Rotate in the direction of force before loading!