

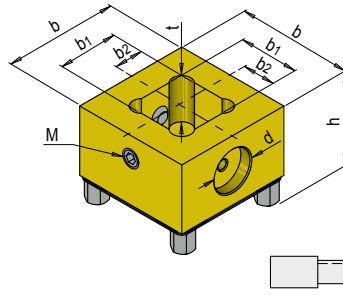


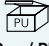
PRODUCT DESCRIPTION

- » Compatible with ITS-50
- » Prepared for chip encoding
- » Includes fastening screws

MATERIAL

- » 2.0401



b	h	d	t	M	b1	b2	b3	 Pcs. / PU	No.	EUR
51	41	18	20	M 6	11.5	5	10	1	HER 1472/10	<>
51	41	18	20	M 6	11.5	5	10	12	HER 1472/10/Set-12	<>
51	41	18	20	M 8	16.5	7.5	15	1	HER 1472/15	<>
51	41	18	20	M 8	16.5	7.5	15	12	HER 1472/15/Set-12	<>
51	41	18	20	M 8	21.5	10	20	1	HER 1472/20	<>
51	41	18	20	M 8	21.5	10	20	12	HER 1472/20/Set-12	<>
51	41	18	20	M 8	26.5	12.5	25	1	HER 1472/25	<>
51	41	18	20	M 8	26.5	12.5	25	12	HER 1472/25/Set-12	<>
51	41	18	20	M 8	31.5	15	30	1	HER 1472/30	<>
51	41	18	20	M 8	31.5	15	30	12	HER 1472/30/Set-12	<>