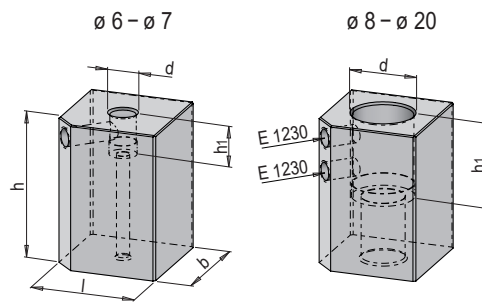




PRODUKTBESCHREIBUNG

- » Reduzierhülse für Elektrodenhalter, vierkant, justierbar
- » Passend für HER 1112/ 25, HER 1118/ 25, HER 1212/ 25 und HER 1412/ 25
- » Zum Spannen von runden Kupferelektroden



MATERIAL

- » 1.2083

b	l	h	h1	E 1230/..x..	Stk.	d	Stk./VPE	Nr.	EUR
25	25	35	10	E 1230/ 5 x 10		6	1	HER 1840/ 6	<>
25	25	35	10	E 1230/ 5 x 10		7	1	HER 1840/ 7	<>
25	25	35	20	E 1230/ 5 x 10		8	1	HER 1840/ 8	<>
25	25	35	20	E 1230/ 5 x 10		9	1	HER 1840/ 9	<>
25	25	35	20	E 1230/ 5 x 8		10	1	HER 1840/10	<>
25	25	35	20	E 1230/ 5 x 8		12	1	HER 1840/12	<>
25	25	35	20	E 1230/ 5 x 6		14	1	HER 1840/14	<>
25	25	35	20	E 1230/ 5 x 6		16	1	HER 1840/16	<>
25	25	35	20	E 1230/ 5 x 5		18	1	HER 1840/18	<>
25	25	35	20	E 1230/ 5 x 4		20	1	HER 1840/20	<>