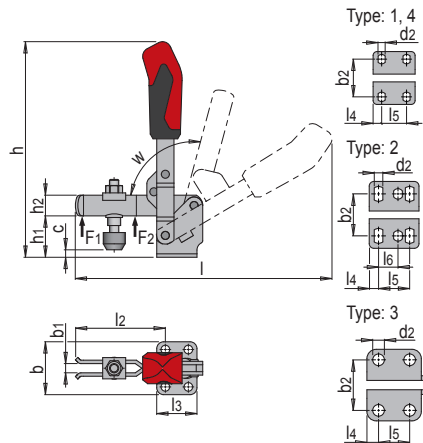


PRODUCT DESCRIPTION

- » Types 2 to 4 with hardened bushings
- » Ergonomic handle made of two components
- » Tempered and galvanised clamping screw with protective cap

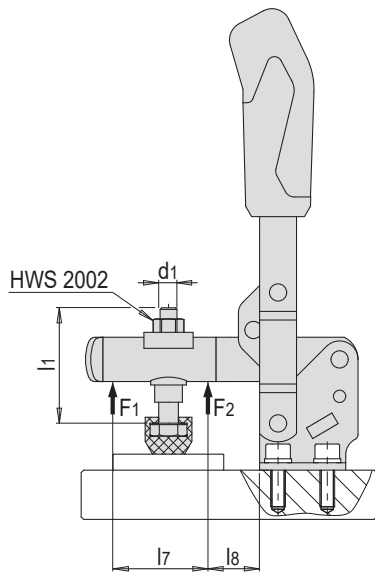
MATERIAL

- » Steel, galvanised and passivated



w	w ¹⁾	c min.	c max.	b	h	l	b1	h1	b2	d2	h2	l2	l3	l4	l5	l6	Type	No.	EUR
95°	-	-1,5	3,5	32	81	99	4	18	23	4.5	8	31	22	5.5	-	-	0	HWS 204/ 0	<>
95°	-	-4	2	34	98	119	5	19	22,5 - 26	4.5	10	39	27	5.5	16	-	1	HWS 204/ 1	<>
105°	60°	-3	4,5	43	140	167	6	23	23 - 31	5.5	12	52	32	6	20	12.5	2	HWS 204/ 2	<>
105°	60°	2	11	46	186	224	8	33	32,5	7.5	18	79	35	7.5	20	-	3	HWS 204/ 3	<>
105°	60°	-6	22,5	64	221	271	10	42.5	43,5 - 46,5	8.6	20	101	53	13	32	-	4	HWS 204/ 4	<>

1) w: The opening angle can be changed by pressing in a stop pin.



Type	F1	F2	l7	l8	d1	l1
0	0.5 kN	0.7 kN	14	5.5	M 4	25
1	0.6 kN	1.1 kN	18	6	M 5	30
2	0.8 kN	1.2 kN	25	11	M 6	35
3	1.2 kN	2.5 kN	37	19	M 8	45
4	1.7 kN	3.0 kN	54	16	M 8	65